

Inductive Sensors



Housing Style	Part Number	ID Number	Features	Sensing Range (mm)	Output
8 mm - Embeddable, Miniature Threaded, picofast® Quick Disconnect 	Bi 1.5-EG08K-AN6X-V1131	S4672540	Short Barrel	1.5	3-Wire DC NPN
	Bi 2-EG08K-AN6X-V1131	S4669550	Short Barrel	2	
	Bi 1.5-EG08K-AP6X-V1131	S4672440	Short Barrel	1.5	3-Wire DC PNP
	Bi 2-EG08K-AP6X-V1131	S4669450	Short Barrel	2	
	Bi 2-EG08K-AP6X-V1131/S957*	S4669452		2	
Bi 1.5-EG08K-Y1-V1131	S1003630	Short Barrel	1.5	2-Wire DC NAMUR	
8 mm - Embeddable, Miniature Threaded, picofast Quick Disconnect 	Bi 1.5-EG08-AN6X-V1131	S4602350		1.5	3-Wire DC NPN
	Bi 1.5U-EG08-AN6X-V1131	S4600530	Uprox	1.5	
	Bi 2-EG08-AN6X-V1131	S4602150	Ext. Range	2	
	Bi 2U-EG08-AN6X-V1131	S4602036	Uprox	2	
	Bi 1.5-EG08-AP6X-V1131	S4602220		1.5	3-Wire DC PNP
	Bi 1.5U-EG08-AP6X-V1131	S4600520	Uprox	1.5	
	Bi 2-EG08-AP6X-V1131	S4602050	Ext. Range	2	
	Bi 2-EG08-AP6X-V1131/S1589	S4602050-1	weldguard®	2	
Bi 2U-EG08-AP6X-V1131	S4602033		2		
Bi 1.5-EG08-Y1-V1131	S1003530			1.5	2-Wire DC NAMUR
8 mm - Embeddable, Miniature Threaded, picofast Quick Disconnect 	Bi 2-G08K-AP6X-V1131	S4672803	Ext. Range	2	3-Wire DC PNP
8 mm - Embeddable, Miniature Threaded, picofast Quick Disconnect 	Bi 2-G08-AP6X-V1131	S4602002			3-Wire DC PNP

* Full flush mounting in steel without reducing 2 mm sensing range.



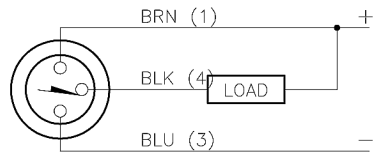
Voltage	Switching Freq. (Hz)	Operating Current (mA)	Operating Temp. (°C)	Protection	Housing	Face	Power LED	Output LED	Mating Cordset	Wiring Diagram #	Wiring Diagrams
10-30 VDC	3000	≤150	-25 to +70	IP 67	SS	PA 12	N/A	YE	PKG 3Z-*	1	Diagram 1
	3000	≤150	-25 to +70	IP 67	SS	PA 12	N/A	YE	PKG 3Z-*	1	
10-30 VDC	3000	≤150	-25 to +70	IP 67	SS	PA 12	N/A	YE	PKG 3Z-*	2	Diagram 2
	3000	≤150	-25 to +70	IP 67	SS	PA 12	N/A	YE	PKG 3Z-*	2	
	3000	≤150	-25 to +70	IP 67	SS	PA 12	N/A	YE	PKG 3Z-*	2	
5-30 VDC	5000	Remote	-25 to +70	IP 67	SS	PA 12	N/A	N/A	PKG 3Z-*	3	Diagram 3
10-30 VDC	3000	≤150	-25 to +70	IP 67	SS	PA 12	N/A	YE	PKG 3Z-*	1	
	2000	≤150	-30 to +85	IP 68	SS	PA 12	N/A	YE	PKG 3Z-*	1	
	3000	≤150	-25 to +70	IP 67	SS	PA 12	N/A	YE	PKG 3Z-*	1	
	1000	≤150	-30 to +85	IP 68	SS	PA 12	N/A	YE	PKG 3Z-*	1	
10-30 VDC	3000	≤150	-25 to +70	IP 67	SS	PA 12	N/A	YE	PKG 3Z-*	2	Diagram 3
	2000	≤150	-30 to +85	IP 68	SS	PA 12	N/A	YE	PKG 3Z-*	2	
	3000	≤150	-25 to +70	IP 67	SS	PA 12	N/A	YE	PKG 3Z-*	2	
	3000	≤150	-25 to +70	IP 67	SS	WG	N/A	YE	PKG 3Z-*	2	
	1000	≤150	-30 to +85	IP 68	SS	PA 12	N/A	YE	PKG 3Z-*	2	
5-30 VDC	5000	Remote	-25 to +70	IP 67	SS	PA 12	N/A	N/A	PKG 3Z-*	3	
10-30 VDC	3000	≤150	-25 to +70	IP 67	SS	PBT	N/A	YE	PKG 3Z-*	2	
10-30 VDC	3000	≤150	-25 to +70	IP 67	SS		N/A	YE	PKG 3Z-*	2	



Barrels

* Length in meters.

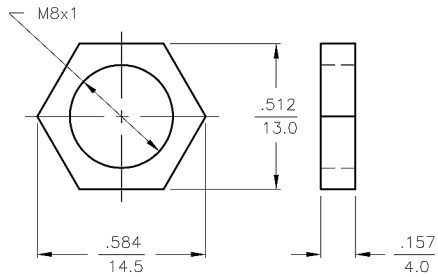
WIRING DIAGRAM



OUTPUT: AN6X

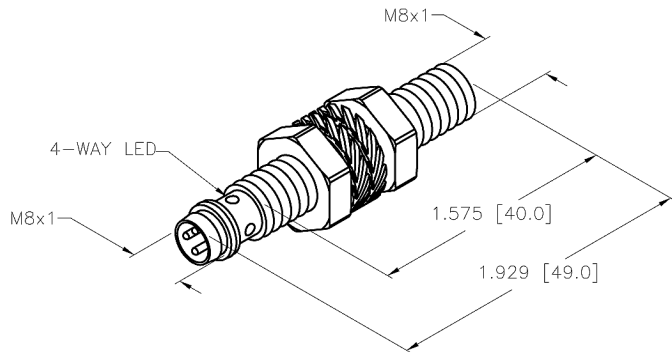
SHORT-CIRCUIT AND OVERLOAD PROTECTED

LOCKNUT LN-SS08



SPECIFICATIONS

RATED OPERATING DISTANCE	2mm = .079" (NOMINAL)
MOUNTING MODE	FLUSH
MIN. REPEAT ACCURACY	≤ 2%
TEMPERATURE DRIFT	≤ ±10%
HYSTERESIS (SWITCHING DISTANCE)	3-15%
OPERATING TEMPERATURE	-25°C to +70°C (-13°F to +158°F)
RATED OPERATIONAL VOLTAGE	10-30 VDC
MAX. RIPPLE	≤ 10%
DC RATED OPERATIONAL CURRENT	≤ 150 mA
NO-LOAD CURRENT	≤ 15 mA
MAX. OFF-STATE CURRENT	≤ 0.1 mA
RATED INSULATION VOLTAGE	≤ 0.5 kV
SHORT-CIRCUIT PROTECTION	INCORPORATED
MAX. VOLTAGE DROP	≤ 1.8 V
WIRE BREAKAGE PROTECTION	INCORPORATED
REVERSE POLARITY PROTECTION	INCORPORATED
OUTPUT FUNCTION	3-WIRE, NORMALLY OPEN, NPN
MAX. SWITCHING FREQUENCY	≤ 1 kHz
HOUSING MATERIAL	METAL, A4 1.4404 (AISI 316L)
ACTIVE FACE	PLASTIC, PA12-GF20
CONNECTOR	M8x1
VIBRATION RESISTANCE	55 Hz, 1 mm AMPLITUDE (IN ALL 3 PLANES)
SHOCK RESISTANCE	30 g, 11 ms
DEGREE OF PROTECTION	IP68
SWITCHING STATUS INDICATION	LED, YELLOW



SOURCE DRAWING - FOR REFERENCE ONLY

RELATED DOCUMENTS		3RD ANGLE PROJECTION		THIS DRAWING IS PROPERTY OF TURCK INC. USE OF THIS DOCUMENT WITHOUT WRITTEN PERMISSION IS PROHIBITED.		 High Technology Sensors and Automation Controls	
1. 2. 3. 4.				DRFT RDS	DATE 05/09/06	DESCRIPTION BI 2U-EG08-AN6X-V1131	
MATERIAL		TOLERANCES UNLESS OTHERWISE SPECIFIED		DSGN TB	SCALE 1=1.0	IDENTIFICATION NO. S4602036	
FINISH		.X ±0.02 .XX ±0.01 .XXX ±0.005 ANGLES ±1° ALL MILLIMETER DIMENSIONS ARE REFERENCE ONLY		UNIT OF MEASUREMENT INCH [MILLIMETER]		REV A	
A	DRAWING RELEASE	RDS	05/09/06	DO NOT SCALE THIS DRAWING		FILE: S4602036	
REV	DESCRIPTION	BY	DATE	ECO NO.	SHEET 1 OF 1		